

TINY F07

The tiniest fog generator in the world with a new design.

a Look Solutions product



battery fog generator

programmable

can be easily built into costumes, props etc.

made in Germany

The **TINY F07** is the modified successor of the Tiny-Fogger. The design and also some components have been changed:

The **TINY F07** has a Sleep-Mode, which makes the machine even more efficient; the start button is integrated into the lid and the battery is only half the size of the former Tiny-Fogger battery.

The Idea

In the field of special effects, equipment for theatre, mega musicals and movies, individual solutions for placing fog effects are often needed.

Until now many great ideas have failed due to the size, lack of flexibility and price.

The Solution

This fog generator is called tiny, and its dimensions truly are tiny. In a small package (L= 105, W= 49, H= 50 mm) technology of outstanding performance has been realised.

The **TINY F07** is a fog generator that fills the gap, due to its small size and its programmability.

• Generator

Because of its dimensions and weight (of only 310 grams), this little gadget can be easily built into backdrops, puppets, costumes and props etc.

The heart of the generator is a programmable microprocessor which controls fog emission. State of the Art technology opens a wide field of applications to the user.

For some applications it will be useful to program in a fixed fog amount. This can be done directly at the machine. The programmed fog amount can easily be reproduced and/or changed.

A compact battery (L= 105, W= 44, H= 30 mm) supplies the **TINY F07** with the 12V supply. The modular design of fog generator and separate rechargeable battery ensure utmost flexibility for individual uses.

Because of an intelligent control mechanism the battery supplies energy only when necessary. Thus – and due to the internal Sleep-Mode – the fog time is greatly increased compared to other battery powered machines.

• Control

The **TINY F07** is triggered with a start-button which is integrated into the lid.

Also you can trigger the machine with the supplied cable remote or a radio remote (option).

• Fluid

The fluid tank is attached externally, depending on the application, this tank can vary in both size and also distance from the machine.

A special fluid ensures dense fog is produced with the lowest of fluid consumption.

The battery and the fluid tank are so small that they can also be built within sets and costumes too.

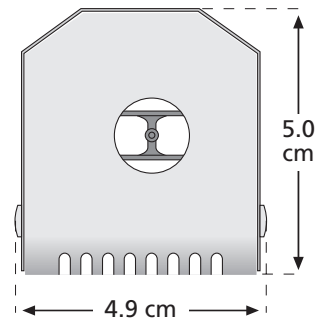
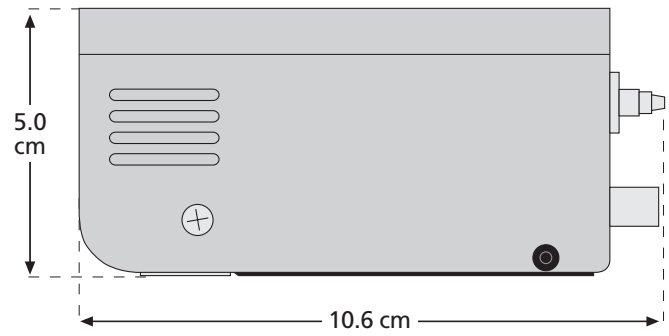
• Service

The Vaporiser of the **TINY F07** can be easily changed by the user on site.

Technical data

Procedure	vaporizing fog generator
Power requirement	70 Watt
Voltage	12 V battery
Warm up time	0.5 sec.
Fluid tank capacity	50 ml
Fluid consumption	2.3 ml/Min. at cont. output
Fogging time	programmable
Continuous output with battery	20 min
Control	Start-button in the lid cable remote radio remote (optional) DMX 512 (option) Timer (option)
Temperature control	Microprocessor
Dimensions TINY F07 (L x W x H)	10.5 x 4.9 x 5.0 cm 4.14 x 1.92 x 1.97 in
Weight TINY F07	310 g / 10.93 oz
Dimensions battery (L x W x H)	10.5 x 4.4 x 3.0 cm 4.14 x 1.73 x 1.18 in
Weight battery	160 g / 5.64 oz

Dimensions



Advantages

- Very small dimensions
- Battery supplies energy only when necessary
- Warm up time less than 1 sec.
- Continuous output
- Fogging time programmable
- Simple controls
- Trigger directly at the machine, with cable remote and optionally with radio remote, DMX converter or timer
- Case for transport
- Manufactured in Germany

Package includes

- TINY F07
- Battery
- Charger
- Cable remote
- Fluid tank
- 250 ml Fluid
- Carry case

Accessories

- Radio remote
- Duct adaptor
- Y-Splitter
- Hose Ø 15 mm
- Timer
- DMX-Converter

Service

Based on the strong partnership with the German manufacturer OTTEC Technology GmbH, Look Solutions is able to provide a quick and easy service which guarantees the high quality of all products with the motto „innovation by communication“.